



宁波市金博电动工具有限公司
NINGBO KINGBIRD POWER TOOLS CO.,LTD.

地址：宁波市北仑区小港街道经11路228号
ADD: No.228, Jing 11 Road, Xiaogang Street,
Beilun District, Ningbo City, China

EMAIL: jarvihu@kingbirdtool.com

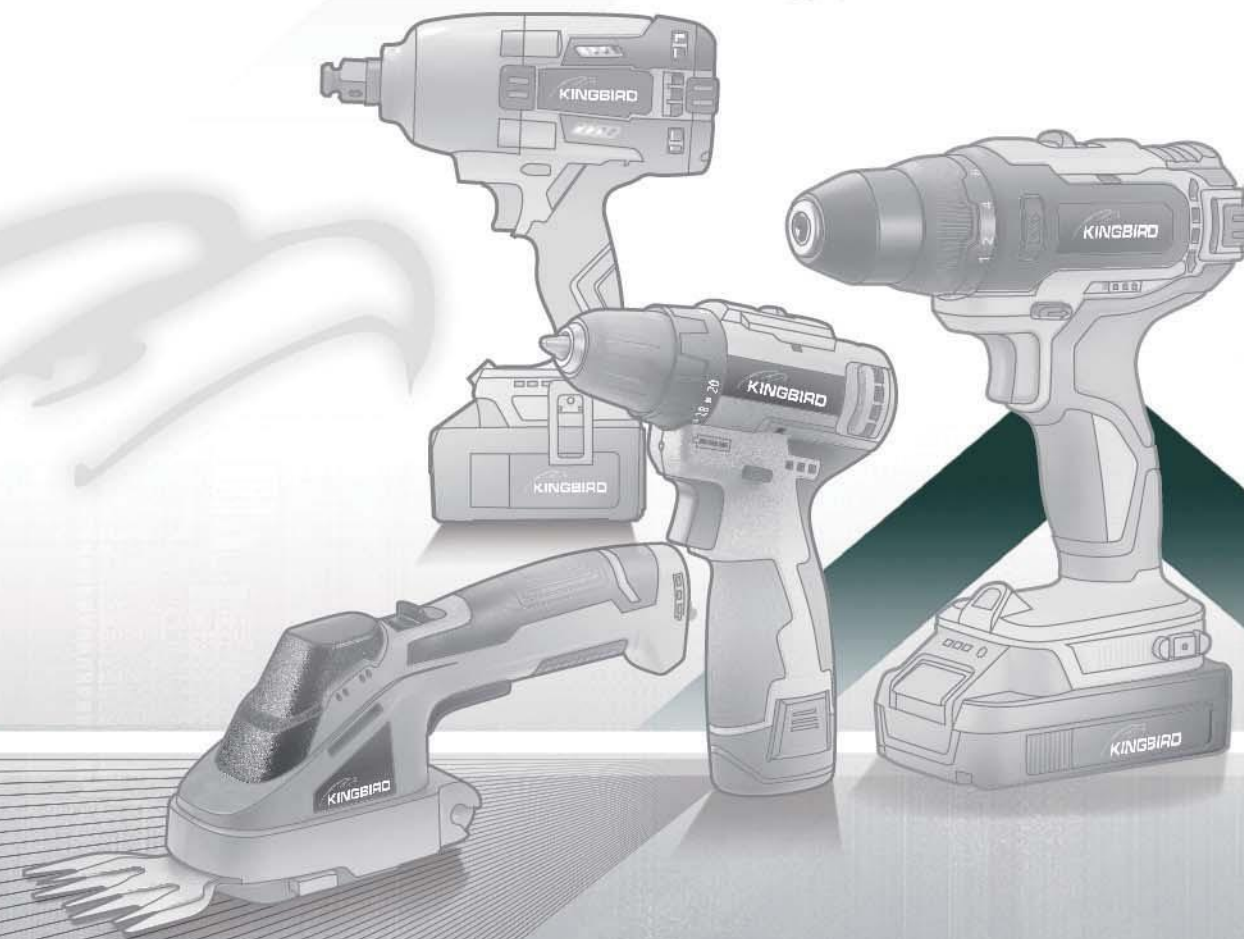


For more brushless tools, pls add wechat



2024-2025

DIY range



宁波市金博电动工具有限公司
NINGBO KINGBIRD POWER TOOLS CO.,LTD.



NINGBO KINGBIRD POWER TOOLS CO., LTD. is founded in May, 2010. It is a professional manufacturer in Cordless Power Tools and Cordless Garden Tools, mainly in Cordless Drill, Cordless Screwdriver, Cordless Multifunction Tool, Cordless Grass Trimmer, Cordless Hedge Trimmer and so on. Our most competitive products are Li-ion Cordless Tools (3.6V-24V) and Garden Tools (18V/36V). KINGBIRD already developed Brushless goods more than 8 years and sell well. Now our main clients are LIDL, ALDI, OBI, WICKES, CARREFOUR, LEROY MERLIN, POSITEC, KINGFISHER, JULA, AUCHAN , and so on. We're advanced in Li-ion series than other manufacturers in China. We could do OPP, MPP and HPP to meet the requirement of different clients.

KINGBIRD covers an area of 15,000 square meters. We have 12 assembly lines, injection machines, testing facilities, and over 300 employees. Our capacity is 200,000pcs per month and 2,400,000pcs each year. We have a very good team of engineers and managers. Most of them ever worked in famous companies like TTI, and we're richen in knowledge of engineering and managing. Our target is Better Quality, Lower Price. We believe do better products is more important than do bigger-size company.



“KINGBIRD's philosophy: INTEGRITY & RELIABLE, INNOVATION, VERSION.”



What is Behind Our Quality?

Our supplier Quality

- Continuous improving procedures
- Value management
- Pre-production quality inspection on all incoming components



Our Quality Process

- ISO 9001
- Final quality inspection
- Reduction of error rate
- Environmental protection
- Social compliance

Our Quality Verification

- ETL
- UL
- CE
- EPA
- GS
- EMC
- FFU



DUST-FREE WORKSHOP FOR BATTERY PACK ASSEMBLY



DUST-FREE WORKSHOP FOR BATTERY PACK ASSEMBLY

In order to keep dust-free, all the products should be produced in the dust-free Workshop.



A dust-free workshop refers to the removal of particulates, harmful air, bacteria and any other pollutant in the air within a set-out space. This also includes the indoor temperature, cleanliness, indoor pressure, air velocity & distribution, noise, vibration, lighting, and static electricity. These are all the factors that need to be monitored and controlled within a certain range of requirements in order to be classified as a dust-free workshop. These workshops can also be referred to as clean workshops, cleanrooms or dust-free rooms. The purification of a workshop can be divided into several categories based on the degree of purification and regional environment.



Cordless Drill

KD560

NEW

Two colors for housing



12 14.4 18

- LED Light
- Rubber Over- Moulded Grip
- LED Indicators (Optional)
- Two Mechanic Geras (Optional)
- Three Battery Type (Optional)
- Impact Function (Optional)

Voltage	12V	14.4V	18V
No-load Speed	0-400/0-1450 RPM(0-650 RPM)	0-400/0-1450 RPM(0-650 RPM)	0-400/0-1450 RPM(0-650 RPM)
Chuck Size	3/8" Keyless Chuck	3/8" Keyless Chuck	3/8" Keyless Chuck
Torque Control	16 + 1 Torque Settings	16 + 1 Torque Settings	16 + 1 Torque Settings
Max Torque	15 N.m (10 N.m)	20 N.m (15 N.m)	25 N.m (20 N.m)
Motor	550 #	550 #	550 #

Cordless Drill

KD511

Battery Voltage	14.4V/18V
No-load Speed	0-350/0-1250 RPM(0-550RPM)
Chuck Size	3/8" (10mm) Keyless Chuck
Torque Settings	16 + 1 Torque Settings
Max Torque	25 N.m(20 N.m)
Motor	550 #

14.4 18

- LED Light
- LED Indicators
- Rubber Over- Moulded Grip
- Forward and Release Position
- Two Mechanic Geras (Optional)
- Impact Function (Optional)



Cordless Drill

KD518

Battery Voltage	12V/14.4V/18V
No-load Speed	0-350/0-1250 RPM(0-550RPM)
Chuck Size	3/8" (10mm) Keyless Chuck
Torque Settings	16 + 1 Torque Settings
Max Torque	25 N.m(20 N.m)
Motor	550 #

12 14.4 18

- LED Light
- LED Indicators
- Rubber Over- Moulded Grip
- Forward and Release Position
- Two Mechanic Geras (Optional)
- Impact Function (Optional)



Cordless Drill

KD521

Battery Voltage	14.4V/18V
No-load Speed	0-350/0-1250 RPM(0-550RPM)
Chuck Size	3/8" (10mm) Keyless Chuck
Torque Settings	16 + 1 Torque Settings
Max Torque	40 N.m(20 N.m)
Motor	550# or 750#

14.4 18

- LED Light
- LED Indicators
- Rubber Over- Moulded Grip
- Forward and Release Position
- Two Mechanic Geras (Optional)
- Impact Function (Optional)



Cordless Drill

KD523

Battery Voltage	12V(10.8V)
No-load Speed	0-350/0-1250 RPM(0-550RPM)
Chuck Size	3/8" (10mm) Keyless Chuck
Torque Settings	18 + 1 Torque Settings
Max Torque	20 N.m (15 N.m)
Motor	550 #

12

- LED Light
- LED Indicators
- Rubber Over- Moulded Grip
- Forward and Release Position
- Two Mechanic Geras (Optional)
- Impact Function (Optional)



Cordless Drill

KD528/528B

Battery Voltage	12/14.4/18V
No-load Speed	0-400/0-1450 RPM(0-650RPM)
Chuck Size	3/8" (10mm) Keyless Chuck
Torque Settings	16 + 1 Torque Settings
Max Torque	15/20/25N.m (10/15/20 N.m)
Motor	550 #

12 14.4 18

- LED Light
- Rubber Over- Moulded Grip
- Forward and Release Position
- Charger Directly Without base
- LED Indicators (Optional)
- Two Mechanic Geras (Optional)
- Two Battery Type (Optional)
- Impact Function (Optional)



Cordless Drill

KD525

Battery Voltage	14.4V/18V
No-load Speed	0-350/0-1250 RPM(0-550RPM)
Chuck Size	3/8" (10mm) Keyless Chuck
Torque Settings	16 + 1 Torque Settings
Max Torque	40N.m(20N.m)
Motor	550# or 735 #

12 14.4 18

- LED Light
- LED Indicators
- Rubber Over- Moulded Grip
- Forward and Release Position
- Two Mechanic Geras (Optional)
- Impact Function (Optional)



Cordless Drill

KD537

Battery Voltage	12/14.4/18V
No-load Speed	0-400/0-1450 RPM(0-650RPM)
Chuck Size	3/8" (10mm) Keyless Chuck
Torque Settings	16 + 1 Torque Settings
Max Torque	15/20/25N.m (10/15/20 N.m)
Motor	550 #

12 14.4 18

- LED Light
- Rubber Over- Moulded Grip
- Forward and Release Position
- Charger Directly Without base
- LED Indicators (Optional)
- Two Mechanic Geras (Optional)
- Two Battery Type (Optional)
- Impact Function (Optional)



Cordless Drill

KD529

Battery Voltage	14.4V/18V
No-load Speed	0-400/0-1450 RPM(0-650RPM)
Chuck Size	3/8" (10mm) Keyless Chuck
Torque Settings	16 + 1 Torque Settings
Max Torque	25N.m(20N.m)
Motor	550 #

14.4 18

- LED Light
- LED Indicators
- Rubber Over- Moulded Grip
- Forward and Release Position
- Two Mechanic Geras (Optional)
- Impact Function (Optional)



Cordless Drill

KD551

Battery Voltage	12/14.4/18V
No-load Speed	0-400/0-1450 RPM(0-650RPM)
Chuck Size	3/8" (10mm) Keyless Chuck
Torque Settings	16 + 1 Torque Settings
Max Torque	15/20/25N.m (10/15/20 N.m)
Motor	550 #

12 14.4 18

- LED Light
- Rubber Over- Moulded Grip
- Forward and Release Position
- Charger Directly Without base
- LED Indicators (Optional)
- Two Mechanic Geras (Optional)
- Two Battery Type (Optional)
- Impact Function (Optional)



Cordless Drill

KD553

Battery Voltage	12V 4000mAh
No-load Speed	0-650 RPM
Chuck Size	3/8" Keyless Chuck
Torque Settings	18 + 1 Torque Settings
Max Torque	20 N.m (15 N.m)
Motor	550 #

12

- LED Light
- LED Indicators
- Rubber Over- Moulded Grip
- Forward and Release Position
- Two Mechanic Geras (Optional)
- Impact Function (Optional)



Cordless Drill

KD702

Battery Voltage	14.4V/18V
No-load Speed	0-350/0-1250 RPM
Chuck Size	1/2" Keyless Chuck
Torque Settings	16 + 1 Torque Settings
Max Torque	35N.m/ 45N.m
Motor	775 #

14.4 18

- LED Light
- LED Indicators
- Rubber Over- Moulded Grip
- Forward and Release Position
- Two Mechanic Geras
- Aluminium Alloy Housing
- Impact Function (Optional)



Cordless Drill

KD539

Battery Voltage	12V 1300mAh/18V 800mAh
No-load Speed	0-850 RPM
Chuck Size	3/8" Single-Sleeve Chuck
Torque Settings	12 N.m
Motor	540 #

12 18

- LED Light
- LED Indicators
- Rubber Over- Moulded Grip
- Forward and Release Position



Cordless Drill

KD703

Battery Voltage	14.4V/18V
No-load Speed	0-350/0-1250 RPM(0-550RPM)
Chuck Size	3/8" (10mm)Keyless Chuck
Torque Settings	16 + 1 Torque Settings
Max Torque	35N.m(25N.m)
Motor	550 # or 750#

14.4 18

- LED Light
- LED Indicators
- Rubber Over- Moulded Grip
- Forward and Release Position
- Two Mechanic Geras (Optional)
- Impact Function (Optional)



Cordless Drill

KD541

Battery Voltage	12/24V
No-load Speed	0-350/0-1250 RPM(0-650RPM)
Chuck Size	3/8"(10mm) Keyless Chuck
Torque Settings	16 + 1 Torque Settings
Max Torque	25 N.m(20 N.m)
Motor	550 #

12 24

- LED Light
- LED Indicators
- Rubber Over- Moulded Grip
- Forward and Release Position
- Two Mechanic Geras (Optional)
- Impact Function (Optional)



Cordless Drill

KD711

Battery Voltage	14.4V/18V
No-load Speed	0-350/0-1250 RPM(0-550RPM)
Chuck Size	3/8" (10mm) Keyless Chuck
Torque Settings	16 + 1 Torque Settings
Max Torque	40N.m(20N.m)
Motor	550# or 735 #

18

- LED Light
- LED Battery Indicators
- Rubber Over- Moulded Grip
- Forward and Release Position
- Two Mechanic Geras (Optional)
- Impact Function (Optional)



Cordless Drill

KD712

Battery Voltage	14.4V/18V
No-load Speed	0-350/0-1250 RPM
Chuck Size	1/2" (13mm)Keyless Chuck
Torque Settings	16 + 1 Torque Settings
Max Torque	45 N.m
Motor	735#

14.4 18

- LED Light
- LED Indicators
- Rubber Over- Moulded Grip
- Forward and Release Position
- Two Mechanic Geras
- With Belt Clip
- Impact Function (Optional)
- 1300mAh/4000mAh (Optional)



Cordless Impact Driver

KS717

Battery Voltage	20V
No-load Speed	0-2800 RPM
Impact Frequency	0-3600 SPM
Chuck Size	1/4" Head
Max Torque	200 N.m
Motor	775# Motor

18

- LED Light
- LED Indicators
- Rubber Over- Moulded Grip



NEW

Cordless Drill

KD716

Battery Voltage	14.4V/18V
No-load Speed	0-400/0-1450 RPM
Chuck Size	3/8" (10mm) Keyless Chuck
Torque Settings	16 + 1 Torque Settings
Max Torque	20 (15)N.m/25 (20)N.m
Motor	550 #

14.4 18

- LED Light
- Rubber Over- Moulded Grip
- Forward and Release Position
- Two Mechanic Geras (Optional)



Cordless Impact Wrench

KI816

Battery Voltage	20V
No-load Speed	0-2300 RPM
Impact Frequency	0-3000 SPM
Chuck Size	1/2" Square Head
Max Torque	400 N.m
Torque Setting	4 Settings (100/200/300/400N.m)
Motor	885# Motor

18

- LED Light
- LED indicators
- Rubber Over- Moulded Grip
- With Belt Clip



NEW

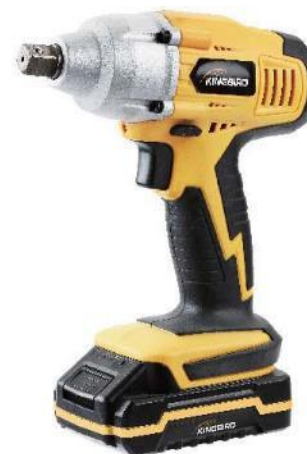
Cordless Impact Wrench

KI711

Battery Voltage	20V
No-load Speed	0-2500 RPM
Chuck Size	1/2" Square Head
Torque Settings	180 N.m
Motor	750# Motor

18

- LED Light
- LED Indicators
- Rubber Over- Moulded Grip



Cordless Impact Wrench

KI812

Battery Voltage	20V
No-load Speed	0-2500 RPM
Chuck Size	1/2" Square Head
Max Torque	350 N.m
Motor	735# Motor

18

- LED Light
- LED indicators
- Rubber Over- Moulded Grip
- With Belt Clip
- 1300mAh/4000mAh (Optional)



Multi-function Quick-released Chuck
Cordless Screwdriver
MODEL KS339

NEW



LITHIUM-ION

- LED Light
- Rubber Over- Moulded Grip
- Forward and Release Position

Specifications

Voltage	3.6V
No-load Speed	250 RPM
Max Torque	7 N.m
Motor	380#

Cordless Screwdriver

KS301



Voltage	3.6V
No-load Speed	180 RPM
Chuck Size	1/4" (6.35mm) Quick Release Chuck
Max Torque	3 N.m

- 380# Motor
- LED Light
- LED Indicators
- Rubber Over- Moulded Grip
- Forward and Release Position

Cordless Screwdriver

KS311



Voltage	3.6V
No-load Speed	250 RPM
Chuck Size	1/4" (6.35mm) Quick Release Chuck
Max Torque	2.5 N.m

- 380# Motor
- LED Light
- LED Indicators
- Rubber Over- Moulded Grip
- Forward and Release Position

Cordless Screwdriver

KS312



Voltage	3.6V
No-load Speed	180 RPM
Chuck Size	1/4" (6.35mm) Quick Release Chuck
Max Torque	3 N.m

- 380# Motor
- LED Light
- LED Indicators
- Rubber Over- Moulded Grip
- Forward and Release Position

Cordless Screwdriver

KS315



Voltage	3.6V
No-load Speed	180 RPM
Chuck Size	1/4" (6.35mm) Quick Release Chuck
Torque Control	16 + 1 Torque Settings
Max Torque	3.5 N.m

- 380# Motor
- LED Light
- LED Indicators
- Spindle Lock
- Rubber Over- Moulded Grip
- Forward and Release Position
- Rotatable Handle

Cordless Screwdriver

KS319



Voltage	3.6V
No-load Speed	180 RPM
Chuck Size	1/4" (6.35mm) Quick Release Chuck
Torque Control	6 + 1 Torque Settings
Max Torque	3.5 N.m

- 380# Motor
- LED Light
- LED Indicators
- Spindle Lock
- Rubber Over- Moulded Grip
- Forward and Release Position
- Rotatable Handle

Cordless Screwdriver

KS321



Voltage	3.6V
No-load Speed	180 RPM
Chuck Size	1/4" (6.35mm) Quick Release Chuck
Max Torque	3.5 N.m

- 380# Motor
- LED Light
- LED Indicators
- Spindle Lock
- Rubber Over- Moulded Grip
- Forward and Release Position
- Rotatable Handle

Cordless Screwdriver

KS328



Voltage	3.6V
No-load Speed	250 RPM
Chuck Size	1/4" (6.35mm) Quick Release Chuck
Max Torque	2.5 N.m

- 380# Motor
- LED Light
- Rubber Over- Moulded Grip
- Forward and Release Position

Cordless Screwdriver

KS331



Voltage	3.6V
No-load Speed	250 RPM
Chuck Size	1/4" (6.35mm) Quick Release Chuck
Max Torque	2.5 N.m

- 380# Motor
- LED Light
- Rubber Over- Moulded Grip
- Forward and Release Position

Cordless Screwdriver

KS336



Voltage	3.6V
No-load Speed	230 RPM
Chuck Size	1/4" (6.35mm) Quick Release Chuck
Max Torque	4.5 N.m

- 380# Motor
- LED Light
- LED Indicators
- Spindle Lock
- Rubber Over- Moulded Grip
- Forward and Release Position
- Bit Cylinder: Containing 6pcs 25mm bits



SCISSORS



Cordless Scissors

KC311

Voltage	3.6V
No-load Speed	240 RPM
Max cutting size	6mm
Motor	380# motor

- Safty Switch
- Auto Sharp



Cordless Scissors

KC312

Voltage	3.6V
No-load Speed	10000 RPM
Max cutting size	6mm
Motor	380# motor

- Safty Switch
- Auto Sharp





12V Li-ion Battery
N-in-ONE tools

Cordless Impact Wrench

KI523



Battery Voltage	12V
No-load Speed	0-2500 RPM
Chuck Size	3/8" Hex
Max Torque	100 N.m
Motor	550# Motor

- LED Light
- LED indicators
- Rubber Over- Moulded Grip

Cordless Impact Driver

KS523



Battery Voltage	12V
No-load Speed	0-2500 RPM
Chuck Size	1/4" Hex
Max Torque	90N.m
Motor	550# Motor

- LED Light
- LED indicators
- Rubber Over- Moulded Grip

Mini Grinder

KP523



Battery Voltage	12V
No-load Speed	5000-25000 RPM
Max Torque	5 N.m
Motor	390# Motor

- Rubber Over- Moulded Grip
- Spindle Lock

Mini Grinder with USB port

KP526



- Rubber Over- Moulded Grip
- Spindle Lock

Battery Voltage	12V
No-load Speed	5000-25000 RPM
Max Torque	5 N.m
Motor	390# Motor

Multi-Function Tool

KM523



Battery Voltage	12V
No-load Speed	15000 RPM
Deflection Angle	3°
Motor	560# Motor

- Rubber Over- Moulded Grip
- Two Mechanic Geras (Optional)
- Variable Speed(Optional)

Flashlight

KD716



Battery Voltage	12V
LED Quantity	15 pcs
LED Light Diameter	φ5 mm
Lampshade Diameter	53 mm

- Rubber Over- Moulded Grip

Ratchet

KI536

Battery Voltage	12V
No-load Speed	220 RPM
Chuck Size	3/8" External Square
Max Torque	50 N.m
Motor	550# Motor

- Rubber Over- Moulded Grip



Cordless Sander

KSD502

Battery Voltage	12V
No-load Speed	11000 RPM
Vibrational Speed	22000 RPM
Motor	560# Motor

- Rubber Over- Moulded Grip
- LED Indicators



NEW



Pole Reciprocating Saw

NEW

KFS501



- Rubber Over- Moulded Grip
- With Safety Lock Button
- Quick Released Blade Holder

Voltage	12V
No-load Speed	0-2500 RPM
Cutting Capacity	Wood : 80mm
	Plastic: 60mm
	Metal: 50 mm
Motor	550# motor



Battery Pack is Suitable for
MAKITA Machine

Cordless Fan

KF502

- Pivoting head for optimal angle
- Hi/Lo switch for adjustable fan and misting control

Battery Voltage	20V
No-load speed	3200 RPM
MODE I:	1400 RPM/300m ³ /h
MODE II:	2100 RPM/400m ³ /h



Cordless Flashlight

KL712

- Rubber Over- Moulded Grip
- Rotatable Head
- Handle with magnetic

Battery Voltage	20V
Power	4.4W
Working Time	120-600 min



Cordless Spary Gun

KSG712

Battery Voltage	20V
Tank Capacity	800 ml
Motor Speed	3000/min
Nozzle Size	0.5/1.0/1.8mm
Max. Viscosity	40 DIN



- LED battery indicators
- Rubber Over- Moulded Grip
- With Guide ruler and Spanner
- 1300mAh/4000mAh (Optional)

Cordless Battery Adaptor

KAD21

Battery Voltage	18V
Input	20V
Output	2x USB
Max Charging Current Per Port	2.4A



- LED Light
- LED battery indicators
- Rubber Over- Moulded Grip
- With Belt Clip
- with USB cable

Cordless Work Light

KL713

- LED battery indicators
- Rubber Over- Moulded Grip

Battery Voltage	20V
Power	20W
Luminous Flux	2000\900Lm
Lamp Viewing Angle	120°
Color Temperature	2700/4000/5000/6500k



Brushless Rotary Hammer

KH701

Battery Voltage	20V
Battery Capacity	4000mAh
No-load Speed	0-1700 RPM
Impact Rate	0-5000 RPM
Chuck Size	1/2" Square Head

- LED Light
- LED battery indicators
- Rubber Over- Moulded Grip



Grass Shears & Hedge Trimmer

GT06



NEW



Battery Voltage	12V
No-load Speed	1100 SPM
Cutting length	120 mm
Blade Tooth Gap	8 mm
Width of Shear Blade	80 mm
Motor	390 #

- Rubber Over- Moulded Grip
- Forward and Release Button
- Safety Lock
- LED for Charging indicator Power Display (3 levels)
- With 2 blades (Grass Shears and Hedge Trimmer)
- Quick Change blade System

Grass Shears & Hedge Trimmer

GT05



NEW

Telescopic Handle Could Bend 3 Parts



- Rubber Over- Moulded Grip
- Forward and Release Button
- Safety Lock
- LED for Charging indicator Power Display (3 levels)
- With 2 blades (Grass Shears and Hedge Trimmer)
- Quick Change blade System
- Long Telescopic Handle (Optional)

Battery Voltage	20V
No-load Speed	1300 SPM
Cutting length	200 mm
Blade Tooth Gap	8 mm
Width of Shear Blade	115 mm
Motor	550 #

Grass Shears & Hedge Trimmer

GT01



Battery Voltage	3.6V/7.2V
No-load Speed	1100 SPM
Cutting length	120 mm
Blade Tooth Gap	8 mm
Width of Shear Blade	80 mm
Motor	380 #

- Rubber Over- Moulded Grip
- Forward and Release Button
- Safety Dual Switch
- LED for Charging indicator Power Display (3 levels)
- With 2 blades (Grass Shears and Hedge Trimmer)
- Long Telescopic Handle (Optional)

Grass Shears & Hedge Trimmer

GT02



Battery Voltage	3.6V/7.2V
No-load Speed	1100 SPM
Cutting length	120 mm
Blade Tooth Gap	8 mm
Width of Shear Blade	80 mm
Motor	380 #

- Rubber Over- Moulded Grip
- Forward and Release Button
- Safety Dual Switch
- LED for Charging indicator Power Display (3 levels)
- With 2 blades (Grass Shears and Hedge Trimmer)
- Long Telescopic Handle (Optional)

Grass Shears & Hedge Trimmer

GT03



NEW

Battery Voltage	3.6V/7.2V
No-load Speed	1100 SPM
Cutting length	120 mm
Blade Tooth Gap	8 mm
Width of Shear Blade	80 mm
Motor	380 #

- Rubber Over- Moulded Grip
- Forward and Release Button
- Safety Lock
- LED for Charging indicator Power Display (3 levels)
- With 2 blades (Grass Shears and Hedge Trimmer)
- Quick Change blade System
- Long Telescopic Handle (Optional)



GARDEN TOOLS

LITHIUM BATTERY

Cordless Hedge Trimmer

KT523

Battery Voltage	12V
No-load Speed	2200 SPM
Max Cutting length	300 mm
Max Cutting Diameter	7 mm
Motor	550 #



- Rubber Over- Moulded Grip
- Safety Dual Switch
- Dual Action Blade
- With Second Assistant Hand Shank and Guard Plate
- Plastic Blade Cover

Cordless Hedge Trimmer

KT611

Battery Voltage	18V (20V)
No-load Speed	1100 SPM
Max Cutting length	510 mm
Max Cutting Diameter	15 mm
Motor	560 #



- Rubber Over- Moulded Grip
- Safety Dual Switch
- Dual Action Blade
- With Second Assistant Hand Shank and Guard Plate
- Plastic Blade Cover

Cordless Blower

KB711

Battery Voltage	18V (20V)
Air Speed	120 MPH
Air Flow	80 CFM
Motor	775 #



- Rubber Over- Moulded Grip
- Dual Safety Switch

Cordless Grass Trimmer

KG711

Battery Voltage	18V (20V)
No-load Speed	9000 SPM
Moving Diameter	250 mm
Aluminium Pipe Length	650 mm
Motor	750 #



- Rubber Over- Moulded Grip
- Dual Safety Switch
- With Rotatable Assistant Hand Shank
- Adjustable Handle
- Telescopic handle
- With Flower Protector
- Adjustable head with 4 position(0-90°)

Cordless Grass Trimmer

KG712

Battery Voltage	20V
No-load Speed	9000 SPM
Moving Diameter	250 mm
Aluminium Pipe Length	610 mm
Motor	750 #/775#

- Rubber Over- Moulded Grip
- Dual Safety Switch
- With Rotatable Assistant Hand Shank
- Adjustable Handle
- Telescopic handle could bend 3 parts
- With Flower Protector
- Adjustable head with 4 position(0-90°)



Cordless Grass Trimmer

KG523

Battery Voltage	12V
No-load Speed	12000 SPM
Moving Diameter	120 mm
Aluminium Pipe Length	500 mm
Motor	550 #



- Rubber Over- Moulded Grip
- Dual Safety Switch

Pole Hedge Trimmer

KLT611



Battery Voltage	18V (20V)
No-load Speed	1100 SPM
Max Cutting length	450 mm
Max Cutting Diameter	8 mm
Aluminum Pole Length	1.8 m
Motor	560 #

- Rubber Over- Moulded Grip
- Safety Dual Switch
- Dual Action Blade
- With Second Assistant Hand Shank and Guard Plate
- Pivot head
- Plastic Blade Cover

Cordless Chain Saw

KCHS712

NEW



Battery Voltage	18V (20V)
No-load Speed	2270 SPM
Max Cutting length	230 mm
Motor	775 #

- Rubber Over- Moulded Grip
- Safety Dual Switch
- Dual Action Blade
- Plastic Blade Cover

Grass Shears & Hedge Trimmer

KPS711



Battery Voltage	18V (20V)
No-load Speed	1100 SPM
Max Cutting length	450 mm
Max Cutting Diameter	8 mm
Aluminum Pole Length	1.8 m
Motor	560 #

- Rubber Over- Moulded Grip
- Safety Dual Switch
- Dual Action Blade
- With Second Assistant Hand Shank and Guard Plate
- Pivot head
- Plastic Blade Cover

Cordless Chain Saw

KCHS801

NEW



Battery Voltage	18V (20V)
No-load Speed	2900 SPM
Max Cutting length	230 mm
Motor	887 #

- Rubber Over- Moulded Grip
- Safety Dual Switch
- Dual Action Blade
- Plastic Blade Cover

Cordless Hand Saw

KCHS735

- Rubber Over- Moulded Grip
- Safety Dual Switch
- Dual Action Blade
- Plastic Blade Cover

Battery Voltage	20V
No-load Speed	2500 SPM
Max Cutting length	120 mm
Motor	735 #



Cordless Grass Shears

KT301

- Rubber Over- Moulded Grip

Voltage	3.6V 1300mAh
No-load Speed	18000 RPM
Max Cutting Width	20-25 mm
Motor	380# motor



**For more BRUSHLESS models,
pls talk to us on Wechat.**



KS315+KC311
41x29.5x11cm



KB712Q213A
41x29.5x11cm



KB812Q213A
41x29.5x11cm



KD511+256PCS
46.5x33.5x24cm



KD511+308PCS
46.5x33.5x24cm